

1250AJP

ARTICULATING ULTRA BOOM

BOOM LIFT



KEY SPECS

Platform Height
125-ft 8-in / 38.3-m

Up and Over Height
60-ft 6-in / 18.44-m

Horizontal Outreach
63-ft 2-in / 19.25-m

Platform Capacity
1,000-lb / 454-kg - Restricted
500-lb / 227-kg - Unrestricted

KEY FEATURES

- Experience faster cycle speeds from ground to full elevation with exclusive QuikStik® boom technology.
- Carry everything you need right to the job with dual 1,000-lb restricted and 500-lb unrestricted capacities for maximum productivity.
- Equipped with a fuel-efficient Tier 4 engine to power through the work day.
- Simple, single sensor load sensing system features fewer parts and requires no weight to calibrate.

ACCESSORIES & OPTIONS

- Accessory Packages:
 - SkyWelder® Package
 - SkyPower® Package
 - SkyGlazier® Package
- Ambient White Noise Alarm
- Bolt On Fall Arrest System
- Cold Package Plus¹
- Cold Weather Package²
- Hostile Environment Package³
- Light Package
- Platform Mesh, Bolt On
 - Mesh to Top Rail, Plastic or Aluminum
 - Mesh to Mid Rail, Plastic or Aluminum
- Platform Options
 - Drop Bar - 30 x 36-in, 36 x 72-in, 36 x 96-in
 - Fall Arrest, Rear Entry - 36 x 72-in 36 x 96-in
 - Inward Self-Closing Swing Gate - 36 x 72-in, 36 x 96-in
 - Tri-Entry, Drop Bar - 36 x 72-in, 36 x 96-in
 - Tri-Entry, Swing Gate - 36 x 72-in, 36 x 96-in
- SkySense® Enhanced Detection System
- Soft Touch System
- Storage Tray, Center or Corner

STANDARD SPECIFICATIONS

Performance

Platform Height	125-ft 8-in / 38.3-m
Horizontal Outreach	63-ft 2-in / 19.25-m
Up and Over Clearance	60-ft 6-in / 18.44-m
Swing	360 Degrees Continuous
Platform Capacity (Restricted)	1,000-lb / 454-kg
Platform Capacity (Unrestricted)	500-lb / 227-kg
Platform Rotator	180 Degrees
Jib Length	8-ft / 2.44-m
Jib Range of Articulation	130 Degrees (+75, -55)
Jib Horizontal Rotation	125 Degrees (55 right, 70 left)
Weight*	44,000-lb / 19,958-kg
Max. Ground Bearing Pressure	100 psi / 7.03 kg/cm ²
Drive Speed	3.25 mph / 5.2 km/h
Gradeability	45%
Tilt Cut Out	5 Degrees
Turning Radius (Inside):	
Axles Retracted/Extended	14-ft 5-in (4.39-m) / 8-ft (2.44-m)
Turning Radius (Outside):	
Axles Retracted/Extended	22-ft 6-in (6.86-m) / 19-ft 4-in (5.89-m)

Engine

Diesel Engine – Deutz TCD2.9L4 Tier 4	74.2 hp / 55.4 kW
Fuel Tank Capacity	31 gal / 170 L

Tires

Standard	445/50D710 Foam-filled
Optional	445/65 Solid

Hydraulic System

Capacity	53 gal / 201 L
----------	----------------

STANDARD FEATURES

- 12V-DC Auxiliary Power (500/1,000-lb)
- 180° Hydraulic Platform Rotator
- AC Receptacle in Platform
- All Motion Alarm
- Articulating Jib
- ClearSky Smart Fleet™ Hardware (CS550)**
- Control ADE® System
- Dual USB Power Outlet
- Dual Rated Capacities
- Drive-Out Extendable Axles
- Engine Distress Warning/Shutdown—Selectable via JLG Analyzer
- Gull-Wing Steel Hoods
- Hourmeter
- Hydrostatic Drive
- LED Motion/Amber Beacon (CS550)**
- Lifting/Tie Down Lugs
- Load Sensing System
- Platform, 36 x 96-in (.91 x 2.44-m)
- Platform Console Machine Status Light Panel***
- Proportional Controls
- QuikStik®
- SkyGuard SkyLine™
- Swing-Out Engine Tray
- Tilt Light and Alarm

*Certain Options or Country Standards Increase Weight.

**Standard Beacon and ClearSky Smart Fleet Hardware Availability Varies by Model Throughout 2023.

***Provides Indicator Lights at Platform Control Console for System Distress, Low Fuel, Degree Tilt Light and Foot Switch Status.

1. Includes extreme cold engine oil, fuel conditioner, engine block heater, battery blanket, glow plugs, hydraulic tank heater, oversized footswitch and arctic hydraulic oil priced separately.
2. Includes battery blanket, hydraulic tank heater, block heater.
3. Includes console cover, boom wipers and cylinder bellows.

Additional accessories and options available via JLG Aftermarket.

1250AJP

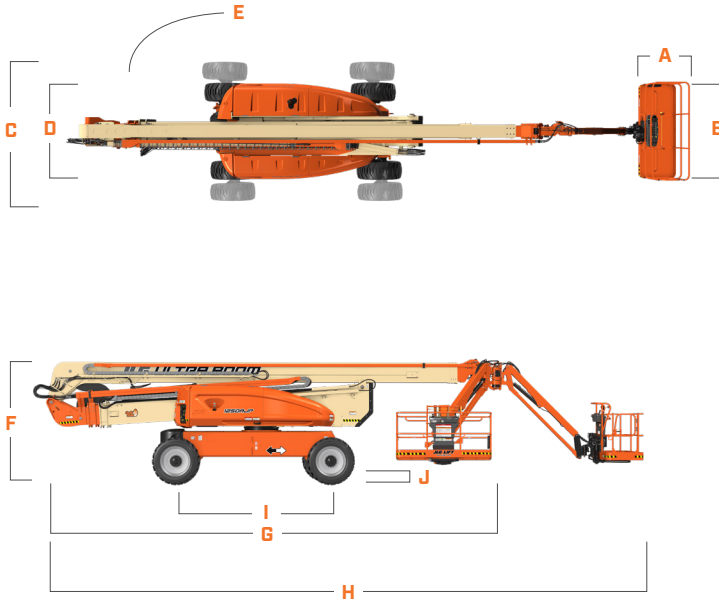
ARTICULATING ULTRA BOOM

BOOM LIFT



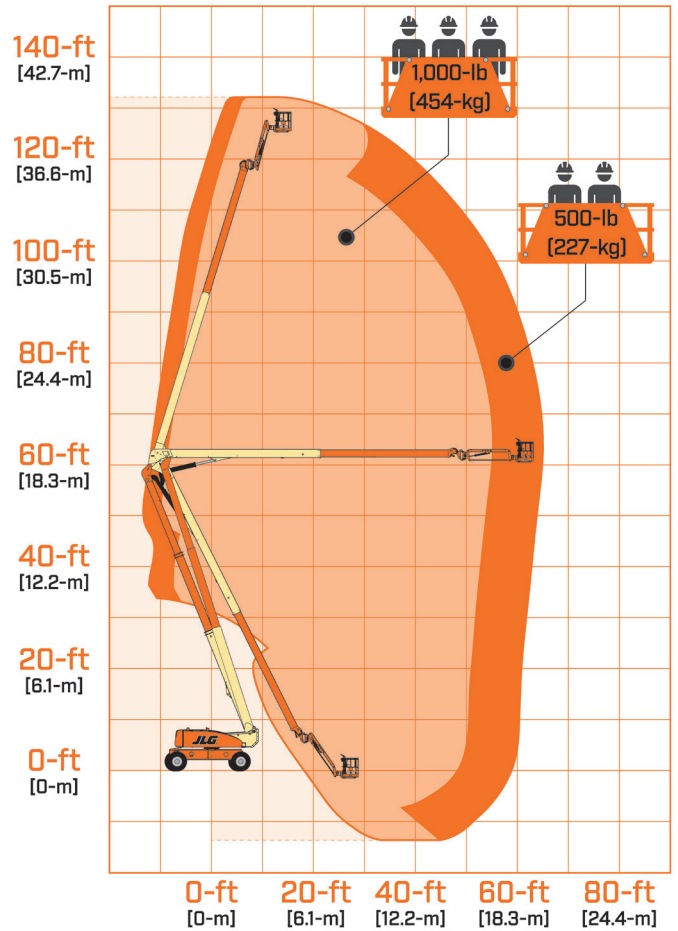
DIMENSIONS

All dimensions are approximate



A. Platform Width	36-in / 0.91-m
B. Platform Length	96-in / 2.44-m
C. Machine Width - Axles Extended	12-ft 6-in / 3.81-m
D. Machine Width - Axles Retracted	8-ft 2-in / 2.49-m
E. Tailswing	9-ft 3-in / 2.84-m
F. Machine Height	9-ft 11-in / 3.02-m
G. Machine Length - Stowed	37-ft 7-in / 11.45-m
H. Machine Length - Overall	47-ft 6-in / 14.48-m
I. Wheelbase	12-ft 6-in / 3.81-m
J. Ground Clearance	12-in / 30-cm - Axle 25.5-in / 65-cm - Chassis

REACH DIAGRAM



We provide coverage for one (1) full year, and cover all specified major structural components for five (5) years. Due to continuous product improvements, we reserve the right to make specification and/or equipment changes without prior notification. This machine meets or exceeds applicable ANSI and CSA requirements based on machine configuration as originally manufactured for intended applications. Please reference the serial number plate on the machine for additional information.



JLG INDUSTRIES, INC.
Toll-free US 877-JLG-LIFT
JLG.com

An Oshkosh Corporation Company