

FEATURES

- 27' (8.3m) Outreach
- 355° Rotation Turret
- GMG 4wd with Traction Control
- 660 lbs (300 kg) Platform Capacity
- 6' x 2.5' (1.83m x .76m) Platform
- 180° Platform Rotation
- Fully Proportional Drive/Lift
- Foam Filled Tires
- Oscillating Axle
- Self-closing entry gate
- On-board diagnostic system
- Load sensing system
- Auto-leveling system
- Option (refer to back page)



SPECIFICATIONS

45/28 AJ

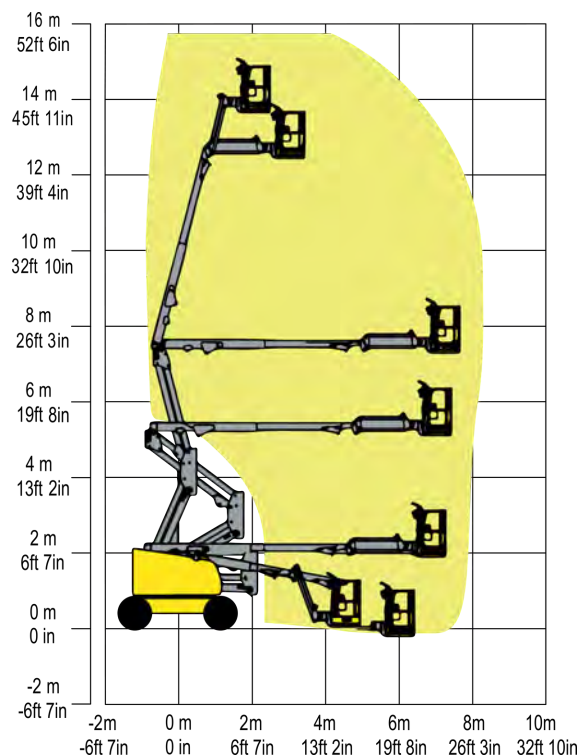
Measurements	US	Metric
Working height maximum	51' 10"	15.8 m
Platform height maximum	45' 3"	13.8 m
Horizontal outreach	27' 3"	8.3 m
Up and over height	24' 9"	7.55 m
Stowed length	21' 7"	6.57 m
Stowed width	7' 7"	2.3 m
Stowed height	7' 5"	2.27 m
Platform length	6'	1.83 m
Platform width	2' 6"	0.76 m
Jib length	4' 1"	1.24 m
Wheelbase	7' 9"	2.36 m
Ground clearance	1' 5"	0.42 m
Productivity	US	Metric
Platform capacity	660 lbs	300 kg
Drive speed	4.5 mph	7 km/h
Gradeability	45%	
Axles oscillation	4"	10 cm
Turning radius (inside)	6' 9"	2.06 m
Turning radius (outside)	15' 8"	4.78 m
Turntable swing	355° non-continuous	
Platform rotation	180°	
Tail swing	zero	
Max. wind speed	28 mph	12.5 m/s
Power	US	Metric
Diesel engine	Kubota V2403	
Engine power	49 hp	36 kW
Fuel tank capacity	17 gal	65 L
Voltage	12V dc	
Drive	4wd	
Hydraulic tank capacity	40 gal	150
Tire / Weight	US	Metric
Tire	315/55 Foam Filled	
Weight (ANSI / CE)	15,650 lbs	7100 kg

STANDARD EQUIPMENT

- Flashing beacon
- Emergency descent alarm
- Horn
- All motion alarm
- Foam filled tires

OPTIONS

- Generator
- Anti-crush system
- Hostile environment kit
- Control box cover
- Non-marking tires
- Cold climate hyd. oil
- Cold climate engine heater
- Cold climate battery
- Platform work lights



www.goGMG.com